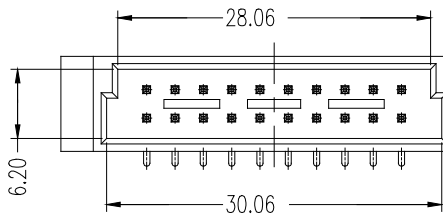
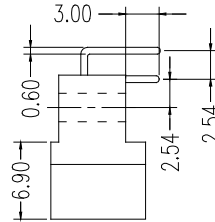
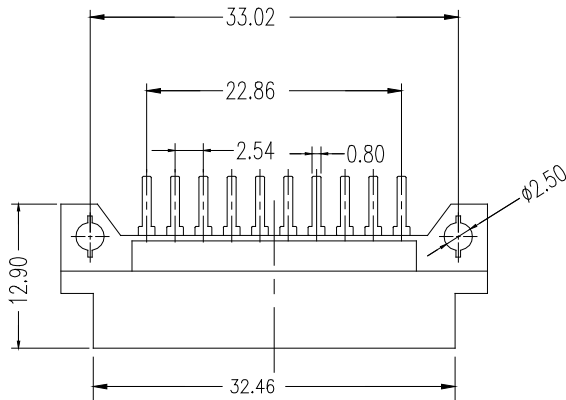
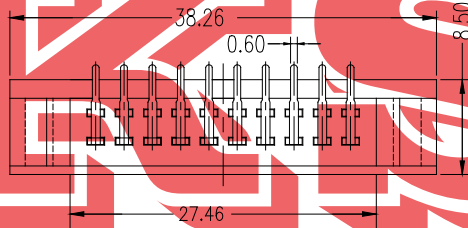
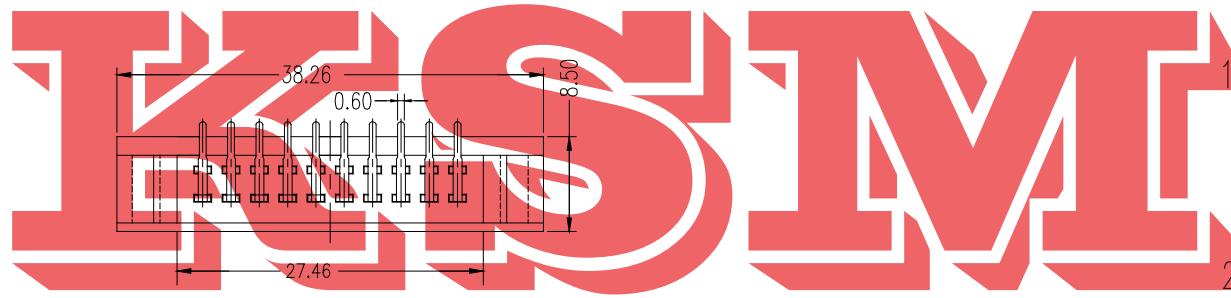


MARK	PLACES	ZONE	ECN	DATE



1. Material
 Insulator body : Glass Filled thermoplastic UL94V-0
 Contact : Phosphor Bronze
 Contact plating : Gold
2. Electrical
 Current rating : 2Amp
 Dielectric withstanding : 1000 Megohms min.at 500V DC voltage
 Insulation resistance : AC 500V for 1 minute
 Contact resistance : 20 Milliohms max
 Operating temperature : -55°C to $+105^{\circ}\text{C}$
3. mechanical
 soldering temperature : 260°C 10seconds max

Shanghai ZhouRi Electronics.,CO.Ltd.

Add:No.668 Beijing East Road

Tel:86-21-51571121 53085565

Fax:86-21-51571120

Http:www.ksmchina.com

E-mail:zhouri11911@163.com

UNLESS OTHERWISE SPECIFIED TOLERANCE			9001-35201C		上海洲日电子有限公司 Shanghai ZhuoRi Electronics CO.,LTD.					
DIMENSION	DECIMAL	ANGLE	MODEL NO.	款式插座	MATERIAL	FINISH				
	X.X	± 0.2	$\pm 0.5^{\circ}$	DWG. NO.	ZR-DIN-002	COLOR	QUANTITY			
	X.XXX	± 0.05		Item NO.						
DESIGNED			REV.	A	SCALE	1:1	UNIT	mm	SIZE	A4
CHECKED			THE THIRD ANGLE PROJECTION			SHEET		OF	PAGES	
APPROVED										